



# Recommended Dimensions for All Laser TVs

HQ New Business Development Dept.

2022-11-7

# CONTENTS

**Part I.** Installation Reminder

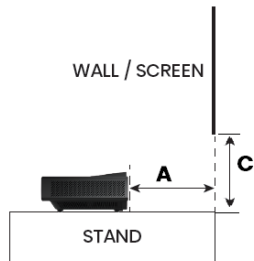
**Part II.** Recommended installation measurement-Laser TV

**Part III.** Recommended installation measurement-Laser Cinema

When mounting an ALR for Laser TV on the wall, a variety of measurements should be considered, including **the screen size, wall space, TV stand height and width**, as well as **the console's specific throw distance and vertical offset**. Use these guidelines in combination with the Laser TV's instruction manual to ensure that the Laser TV can be properly mounted and suitable for your home.

1. Choose **the most suitable type of the laser display** according to the environment in which the device will be used.
  - Choose the Laser TV with a DLT (daylight) screen if it will be used in a living room or any well-lit rooms, as cut-off light on the screen and will make the image more vivid.
  - Choose our Laser cinema if it will be used in an entertainment room, home theater or a poorly-lit room.
2. Choose **the right location where the screen will be mounted**. Keep the screen size in mind and assure there is enough space to install it. We also give **the reference to the Height and Width of TV stand**, which decided on two dimensions below to fit the image into the screen.
  - Decide on **how deep the TV stand should be** and **how far the console should be off the wall** by reference of the numbers in the measurement.
  - Decide on **how high the TV stand should be** and **how far the screen bottom should be off the TV stand top** by reference of the numbers in the measurement.

Item		A (in)	B (in)	C (in)	D (in)	E (in)
Model	Screen size	Distance from back of console to wall	Distance from front of console to wall	Distance from bottom of screen to top of stand	Distance from top of screen to top of stand	Distance from hole of bracket to top of stand
L9G/H	<b>120"</b>	14.65 in	28.27 in	16.73 in	77.12 in	70.19 in
L9G/H	<b>100"</b>	11.93 in	25.55 in	14.68 in	65.39 in	56.34 in(DLT100-A) 58.43 in(DLT100-B)
L5H	<b>100"</b>	12.87 in	25.47 in	13.82 in	64.53 in	58.43 in(DLT100-B)
L5H	<b>90"</b>	7.72 in	20.9 in	12.87 in	58.43 in	52.05 in
L5F/G	<b>120"</b>	14.65 in	28.27 in	16.73 in	77.12 in	70.19 in
L5F/G	<b>100"</b>	11.3 in	24.92 in	14.68 in	65.39 in	56.34 in(DLT100-A) 58.43 in(DLT100-B)



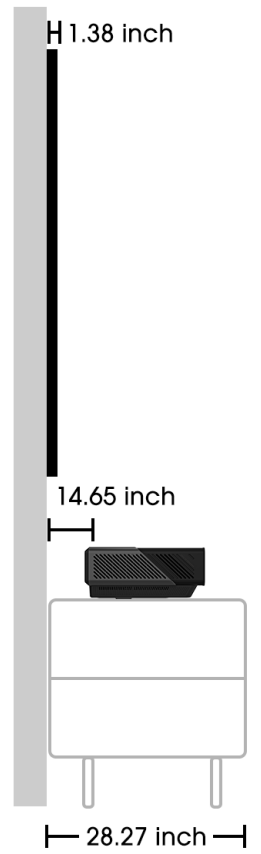
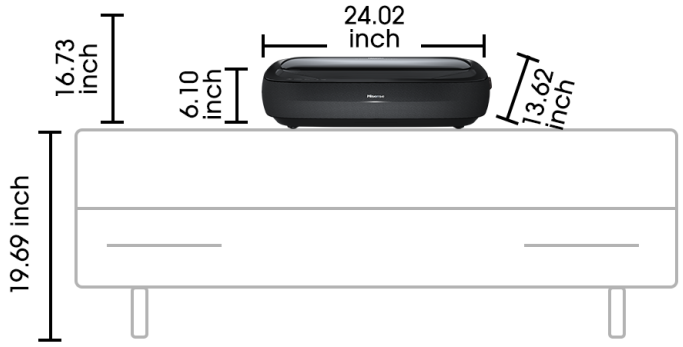
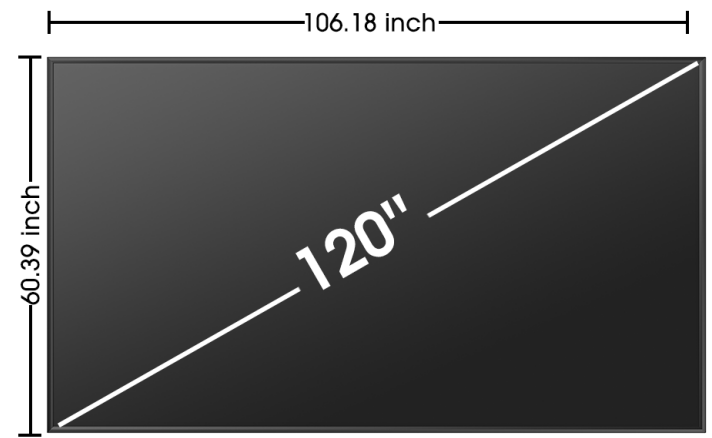
- **Dimension A** is related to space between Laser console to the wall.
- **Dimension B** is related to the width of stand. It indicates the minimum width of stand which required for each model.
- **Dimension C** and D are related to the space of wall.

# Part II Recommended installation measurement



120"  
L9G/H

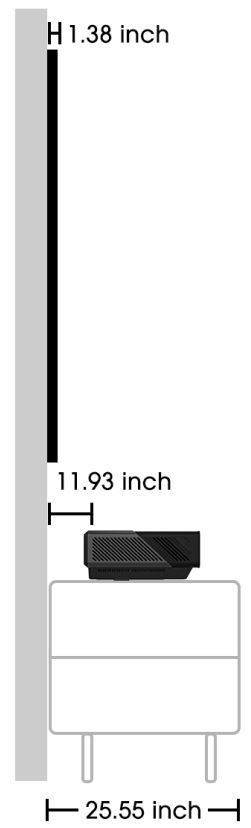
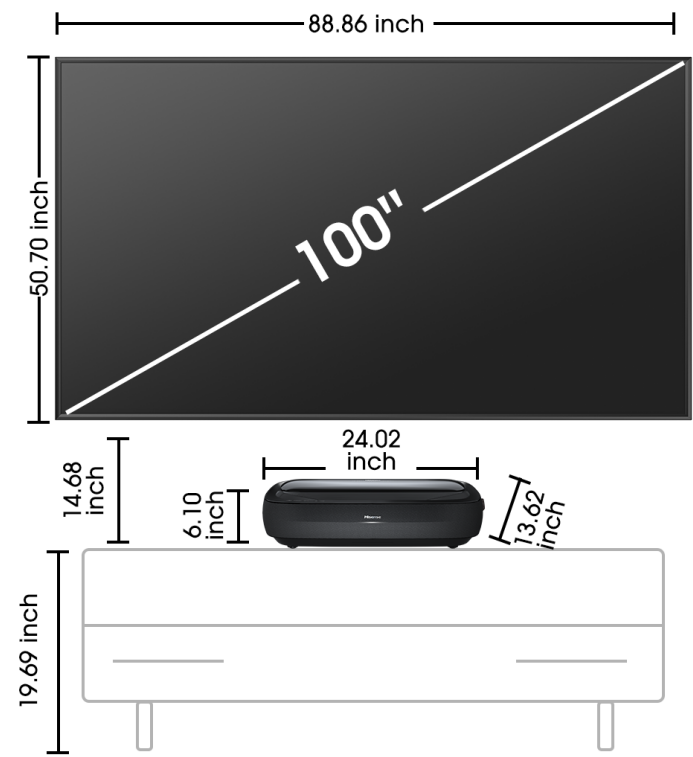
Screen size: 106.18×60.39×1.38in  
Console size: 24.02×13.62×6.10in  
Stand Recommended Height: 19.69in



## 100" L9G/H

Screen size\*: 88.86×50.7×1.38 in  
Console size: 24.02×13.62×6.10 in  
Stand Recommended Height: 19.69 in

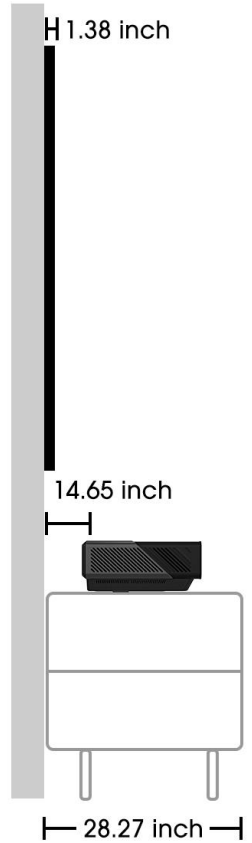
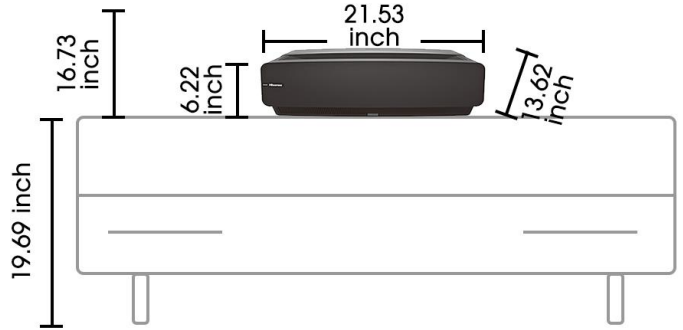
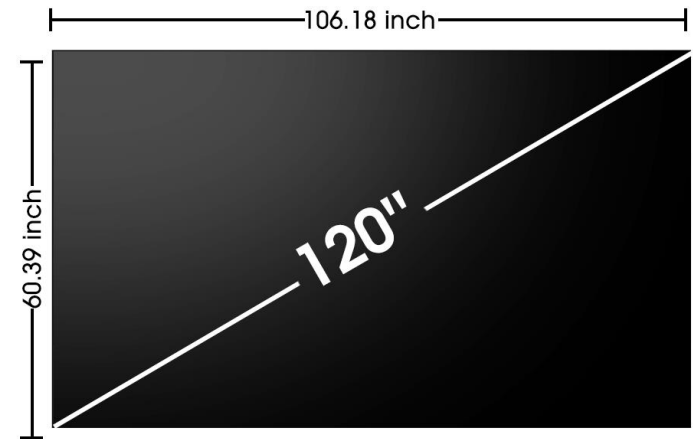
\*Screen Size for DLT100-A  
Screen Size for DLT100-B: 88.58×50.39×1.18in



# Part II Recommended installation measurement

120"  
L5F/G

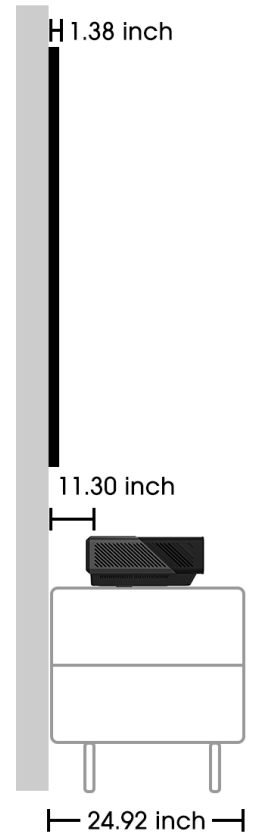
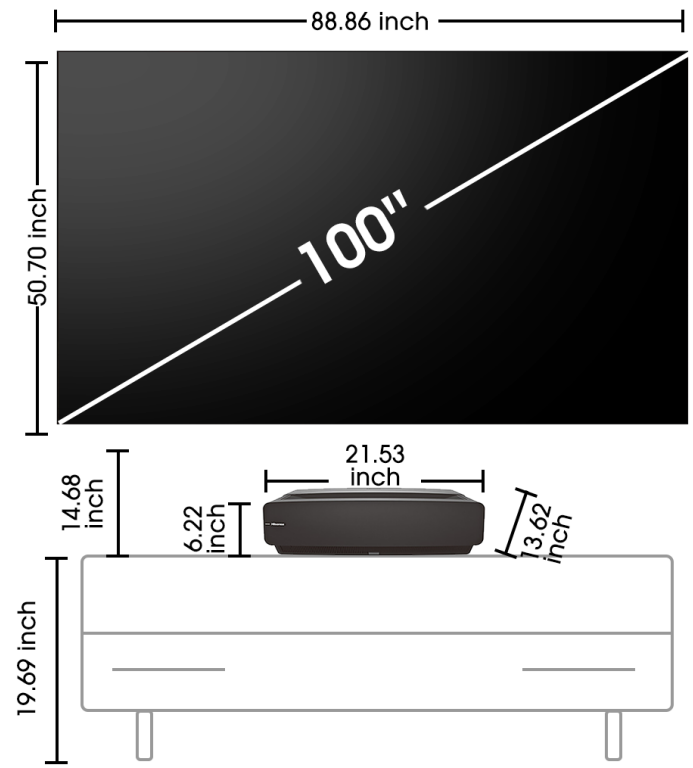
Screen size: 106.18×60.39×1.38in  
Console size: 21.53×13.62×6.22in  
Stand Recommended Height: 19.69in



# Part II Recommended installation measurement

## 100" L5F/G

Screen size: 88.86×50.7×1.38 in  
Console size: 21.53×13.62×6.22in  
Stand Recommended Height: 19.69in



\*Screen Size for DLT100-A  
Screen Size for DLT100-B: 88.58×50.39×1.18in

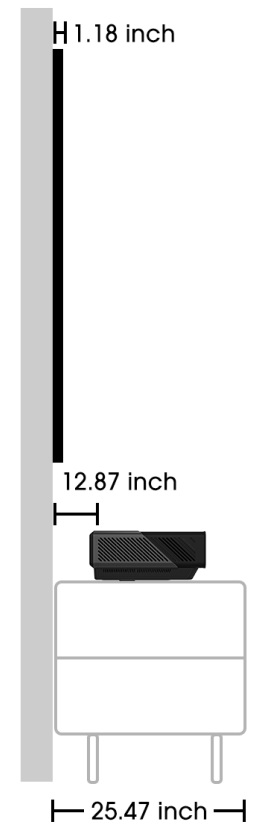
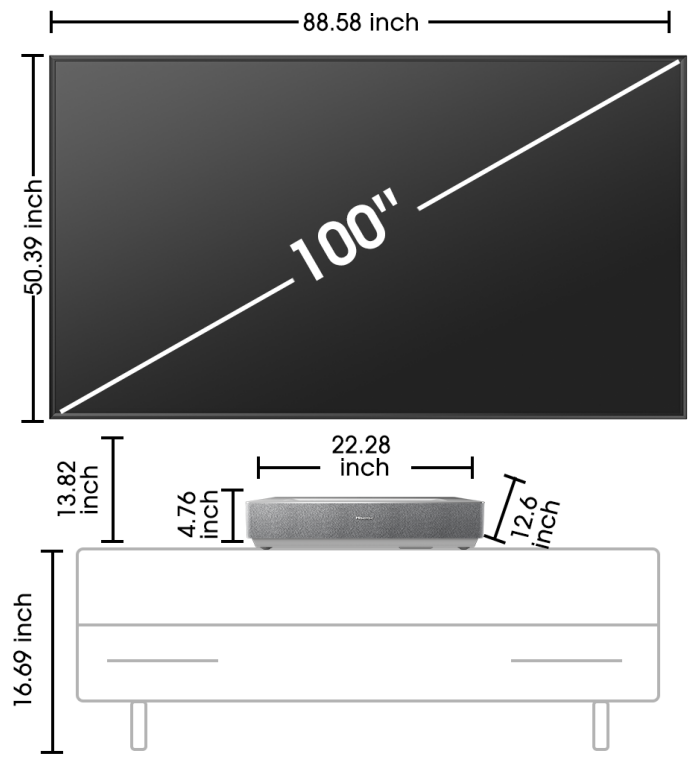


# Part II Recommended installation measurement

100"  
L5H

Screen size\*: 88.58×50.39×1.18in  
Console size: 22.28×12.6×4.76in  
Stand Recommended Height: 19.69in

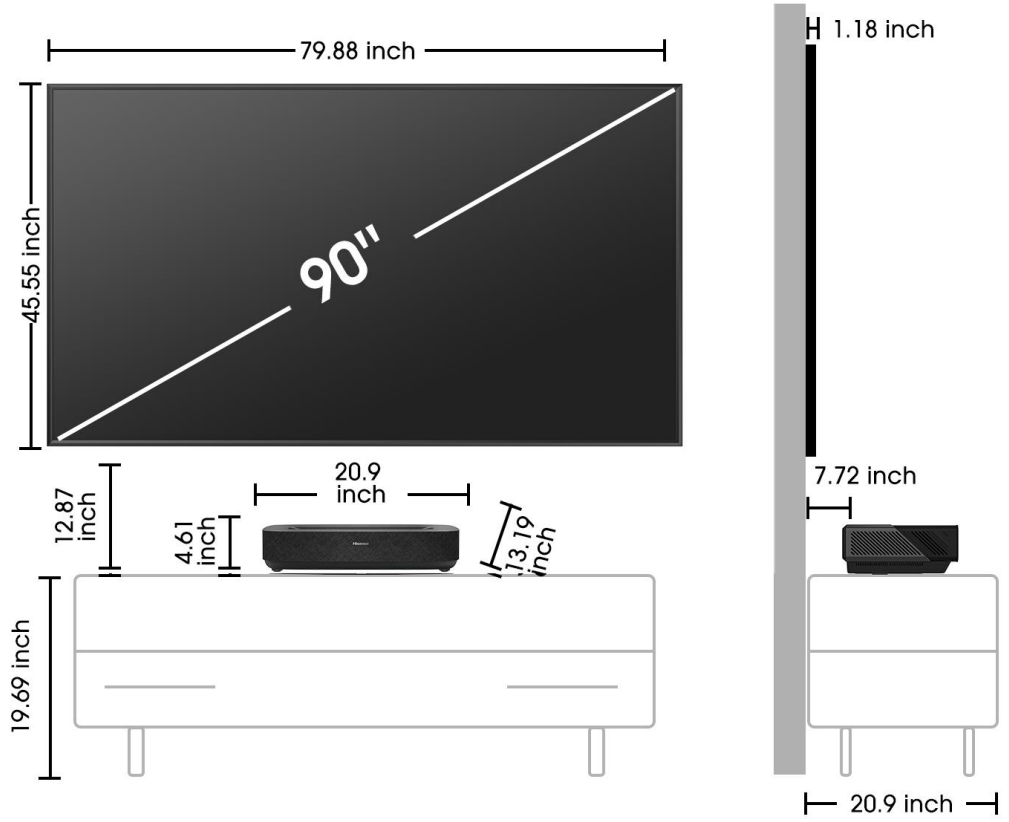
\*Screen Size for DLT100-B



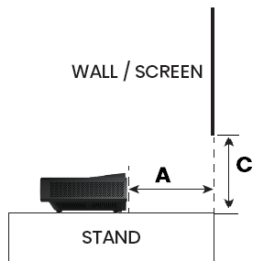
# Part II Recommended installation measurement

90"  
L5G

Screen size: 79.88×45.55×1.18 in  
Console size: 20.9×13.19×4.61 in  
Stand Recommended Height: 19.69 in



Item		A (cm)	B (cm)	C (cm)	D (cm)	E (cm)
Model	Screen size	Distance from back of console to wall	Distance from front of console to wall	Distance from bottom of screen to surface of stand	Distance from top of screen to surface of stand	Distance from hole of bracket to surface of stand
L9G/H	<b>120"</b>	37.2 cm	71.8 cm	42.5 cm	195.9 cm	178.3 cm
L9G/H	<b>100"</b>	30.3 cm	64.9 cm	37.3 cm	166.1 cm	143.1 cm(DLT100-A) 148.4 cm(DLT100-B)
L5H	<b>100"</b>	32.7 cm	64.7cm	35.1 cm	163.9 cm	148.4 cm(DLT100-B)
L5H	<b>90"</b>	19.6 cm	53.1cm	32.7 cm	148.4 cm	132.2 cm
L5F/G	<b>120"</b>	37.2 cm	71.8 cm	42.5 cm	195.9 cm	178.3 cm
L5F/G	<b>100"</b>	28.7 cm	63.3 cm	37.3 cm	166.1 cm	143.1 cm(DLT100-A) 148.4 cm(DLT100-B)
L5V	<b>88"</b>	22.2 cm	56.8 cm	37 cm	148.9 cm	129.5 cm

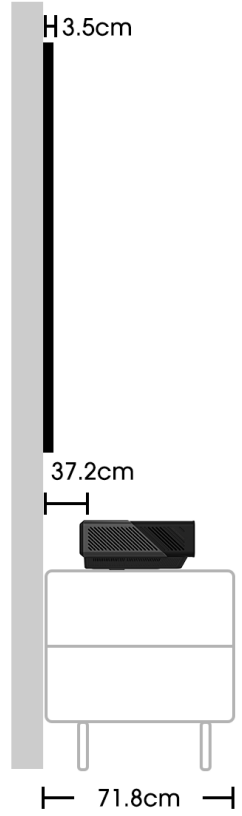
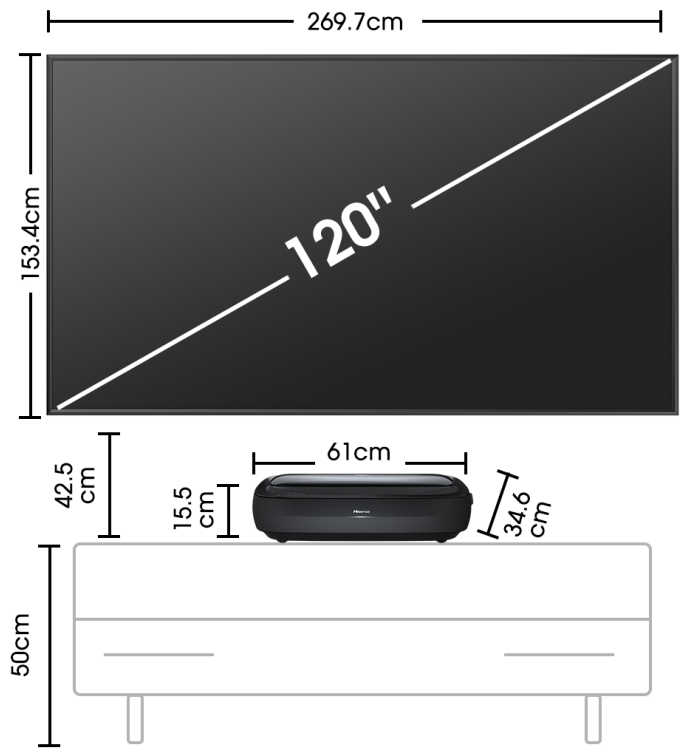


- **Dimension A** is related to space between Laser console to the wall.
- **Dimension B** is related to the width of stand. It indicates the minimum width of stand which required for each model.
- **Dimension C** and D are related to the space of wall.

# Part II Recommended installation measurement

120"  
L9G/H

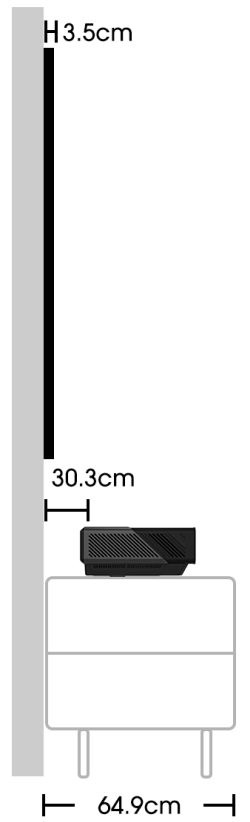
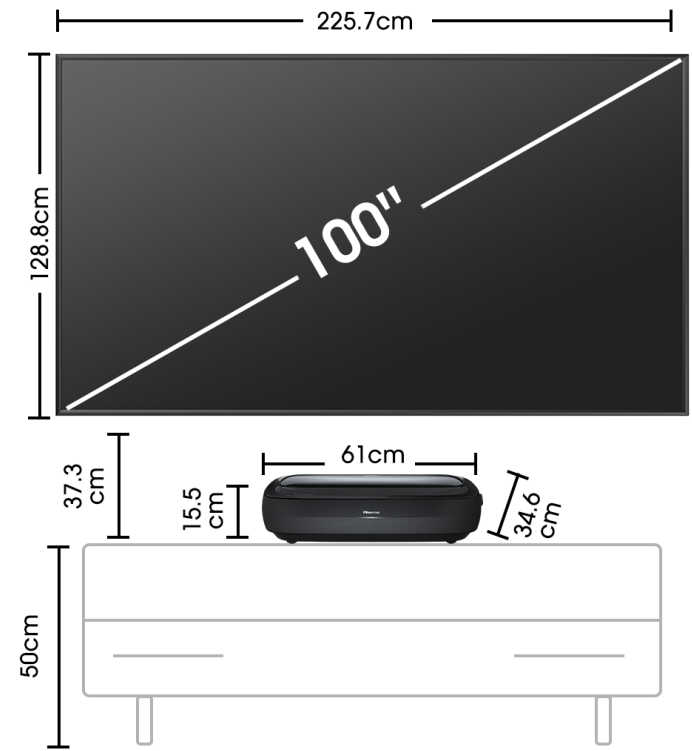
Screen size: 269.7×153.4×3.5cm  
Console size: 61×34.6×15.5cm  
Stand Recommended Height: 50cm



# Part II Recommended installation measurement

## 100" L9G/H

Screen size \* : 225.7×128.8×3.5cm  
Console size: 61×34.6×15.5cm  
Stand Recommended Height: 50cm

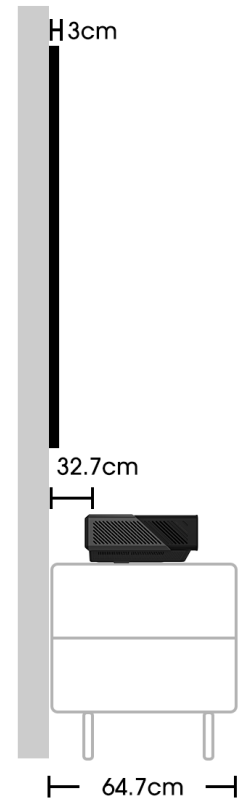
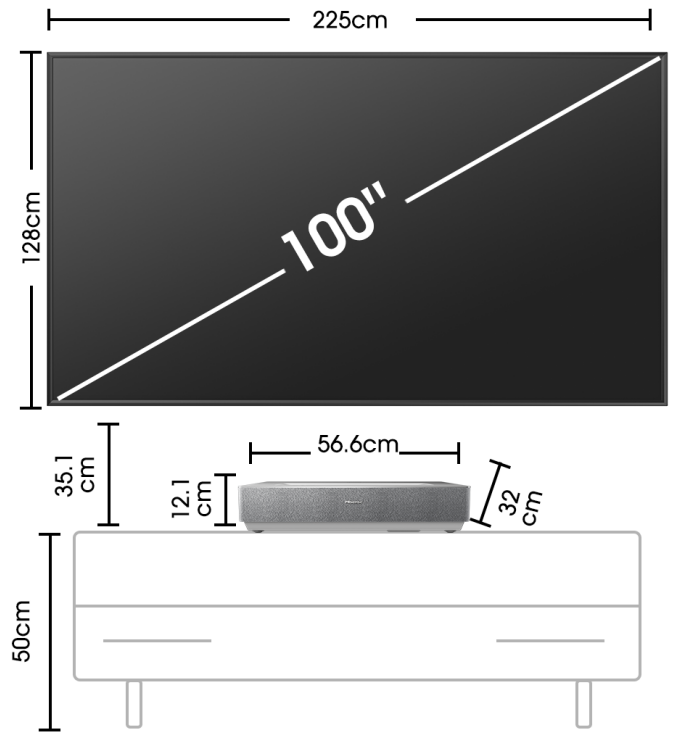


\*Screen Size for DLT100-A  
Screen Size for DLT100-B: 225×128×3cm

# Part II Recommended installation measurement

100"  
L5H

Screen size\*: 225×128×3cm  
Console size: 56.6×32×12.1cm  
Stand Recommended Height: 50cm



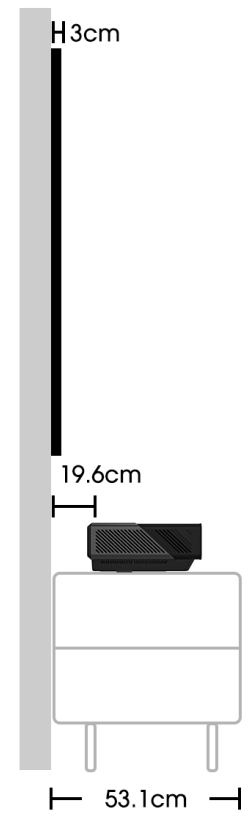
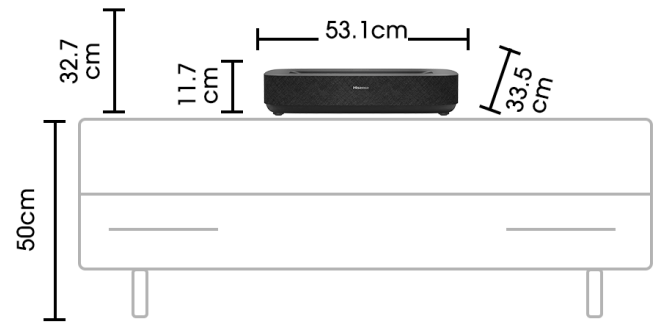
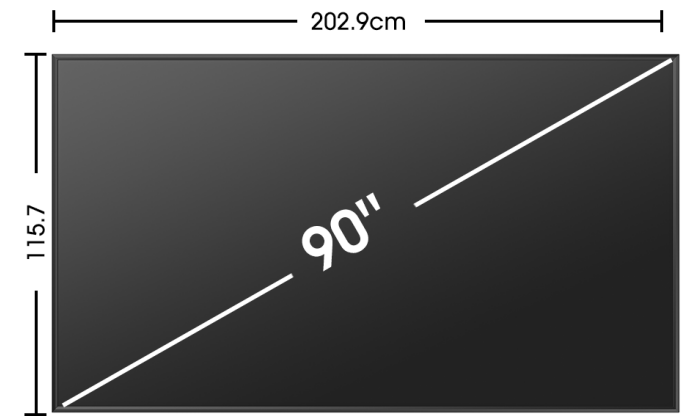
\*Screen Size for DLT100-B

# Part II Recommended installation measurement

90"

L5H

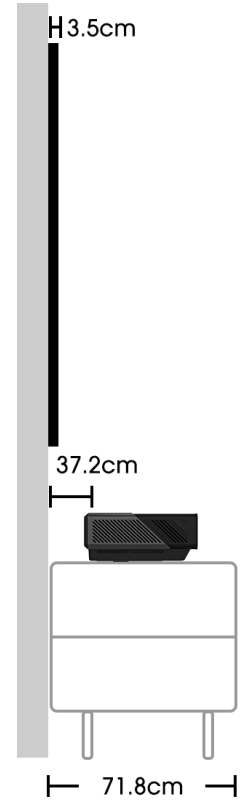
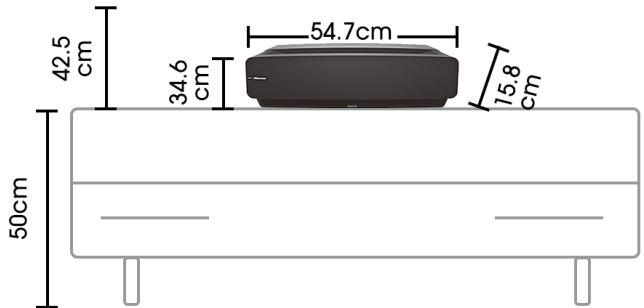
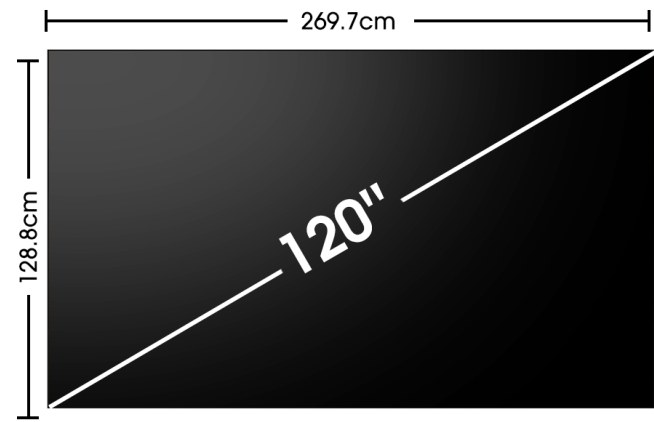
Screen size: 202.9×115.7×3cm  
Console size: 53.1×33.5×11.7cm  
Stand Recommended Height: 50cm



# Part II Recommended installation measurement

120"  
L5F/G

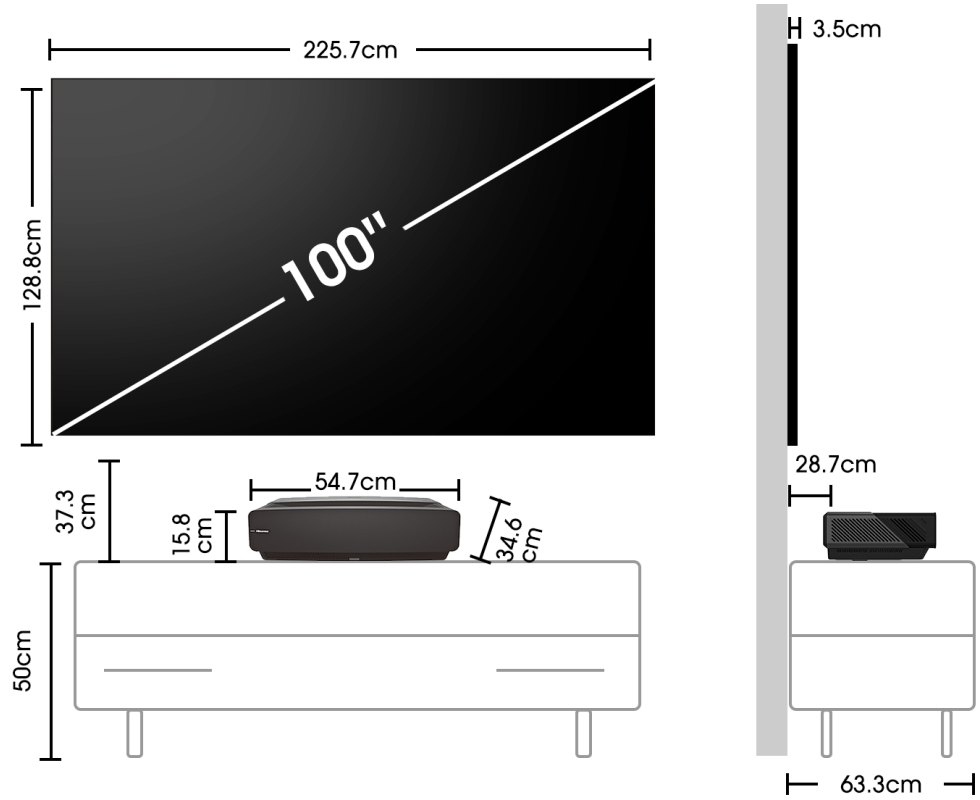
Screen size: 269.7×153.4×3.5cm  
Console size: 54.7×34.6×15.8cm  
Stand Recommended Height: 50cm





## 100" L5F/G

Screen size\*: 225.7×128.8×3.5cm  
Console size: 54.7×34.6×15.8cm  
Stand Recommended Height: 50cm

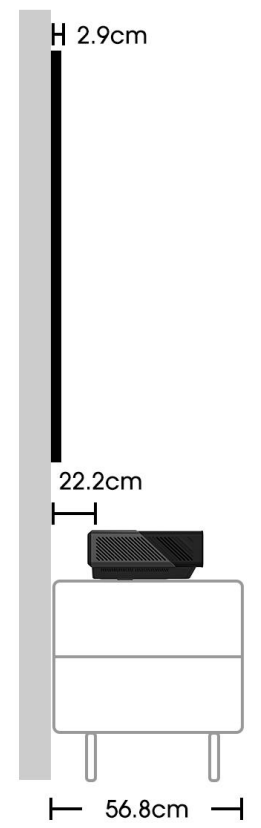
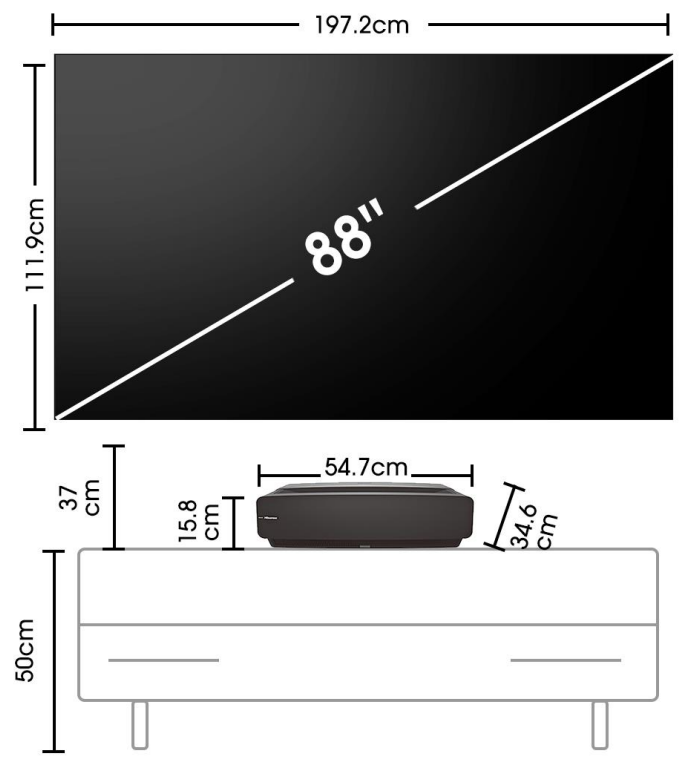


\*Screen Size for DLT100-A  
Screen Size for DLT100-B: 225×128×3cm

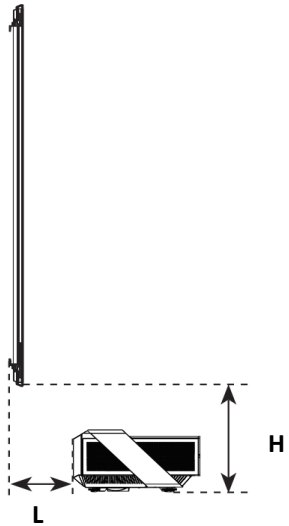
# Part II Recommended installation measurement

88"  
L5V

Screen size: 197.2×111.9×2.9cm  
Console size: 54.7×34.6×15.8cm  
Stand Recommended Height: 50cm



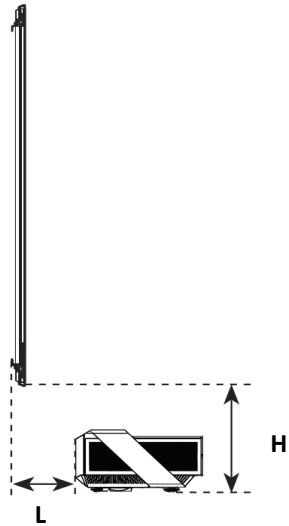
# PX1 – PRO 90" – 130"



Model	Projection size	D from projector to wall L (cm)	D from stand top to image bottom H (cm)
PX1-PRO	90"	28	32.4
	100"	31.8	36.6
	110"	37	39.4
	120"	42.3	42.2
	130"	48.4	45

Remarks: A 5% deviation is considered acceptable for the measurements above.

# PL1H 80" - 120"



Model	Projection size	D from projector to wall L (cm)	D from stand top to image bottom H (cm)
PL1H	80"	21.5	31.2
	90"	25.9	35.2
	100"	31.8	38.2
	110"	37.4	41.2
	120"	42.9	44.2

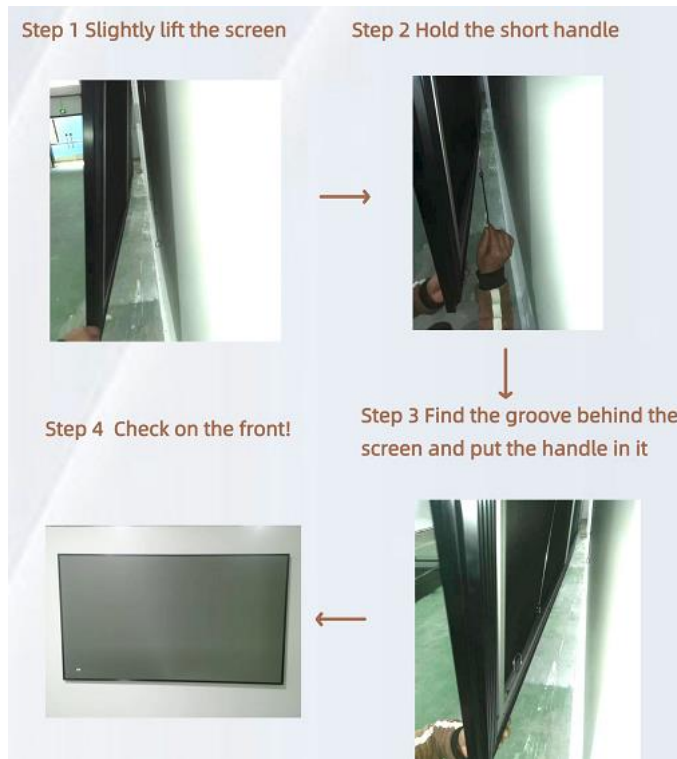
Remarks: A 5% deviation is considered acceptable for the measurements above.

# Supplementary Introduction

Use two adjusting handles for fine tuning



Four easy steps to hide handles after using them



Hisense



FIFA WORLD CUP  
Qatar 2022

OFFICIAL SPONSOR

# Thanks