

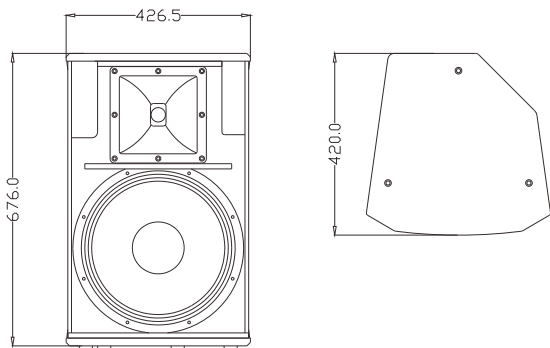
series S115

Two-way Loudspeaker System

The S115 is a 15" two way full range speaker with clear, soft and powerful sound. Unit configuration: 1x15" high efficiency mid-bass unit, 1x1" exit throat 44mm polyester diaphragm HF driver with 90°×50° horn. The cabinet is made of multilayer composite plywood with wear-resistant polyurea paint.

S115是一款15"两分音全频音箱，具有音质清晰、柔和有力度等特点。单元配置：1只15"高效率中低音单元，1只1"喉口44芯聚酯膜高音驱动器配上90°×50°可旋转号角。箱体采用多层复合夹板，耐磨聚脲喷涂。

CONFIGURATION



FEATURES

- High quality unit configuration, high SPL
- Rotatable horn, multi-ways for installation
- Applications: conference rooms, multifunction halls, classrooms, hotel entertainment, touring

产品特点

- 高品质单元配置，高声压级输出
- 可旋转号角，多种安装方式

适用范围

- 会议室、多功能厅，教室
- 酒店娱乐、流动演出



MODEL
FREQUENCY RESPONSE(-3dB)
FREQUENCY RESPONSE(-10dB)
DRIVERS

RATED POWER
SENSITIVITY
MAXIMUM SPL
IMPEDANCE
DISPERSION(-6dB)
CROSSOVER FREQUENCIES
INPUT CONNECTORS
PACKAGE SIZE
NET WEIGHT
GROSS WEIGHT

S115
55Hz-18KHz
50Hz-20KHz
1×15"(385mm)/3"voice coil LF
1×1"(25mm)/1.7"voice coil HF
400W RMS,1600W peak
98dB 1watt/1meter
124dB continuous,130dB peak
8 ohms nominal
80°×50°
1.6kHz passive
2×Speakon NL4
507mm×500mm×776mm
24 kg/pc
29 kg/pc